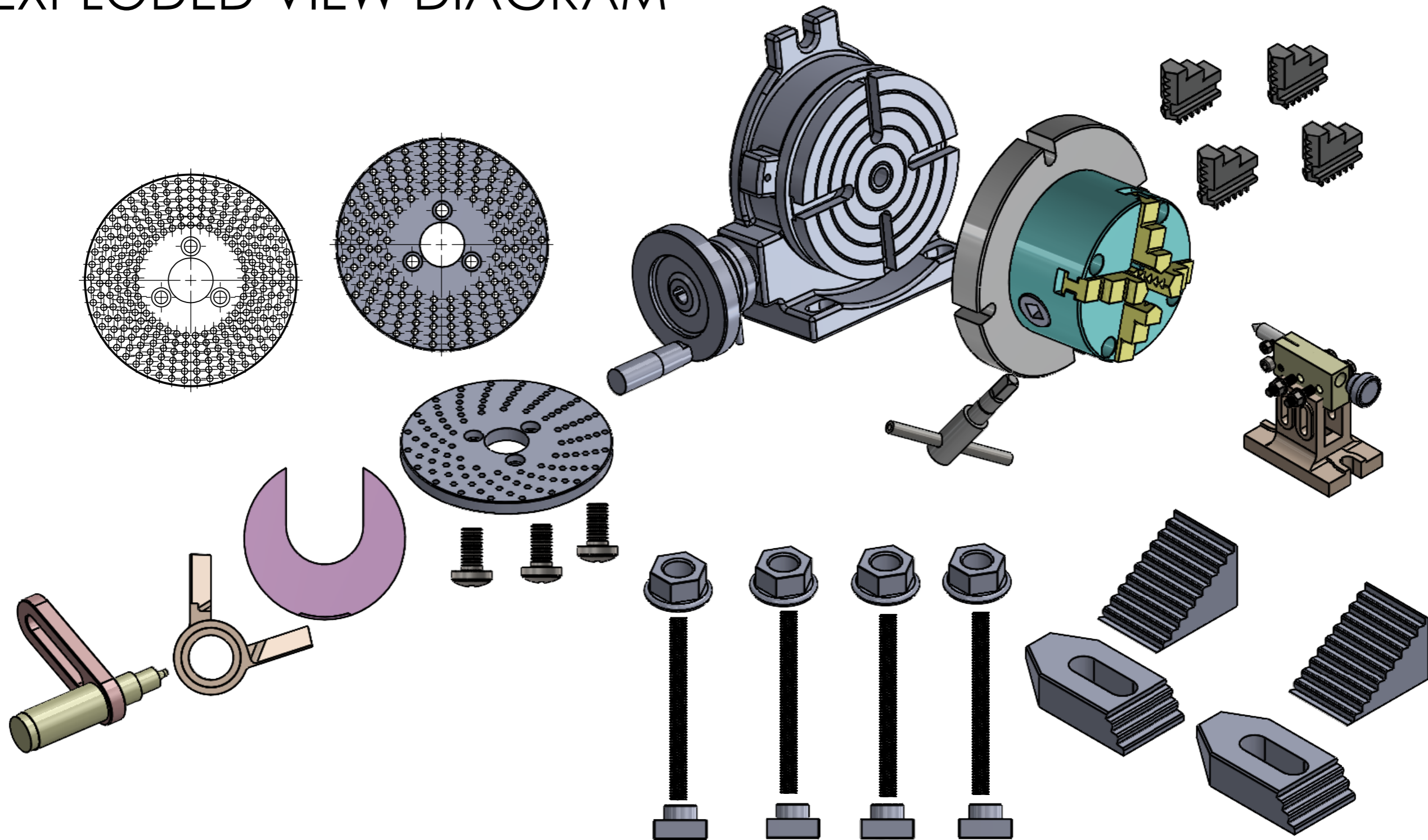


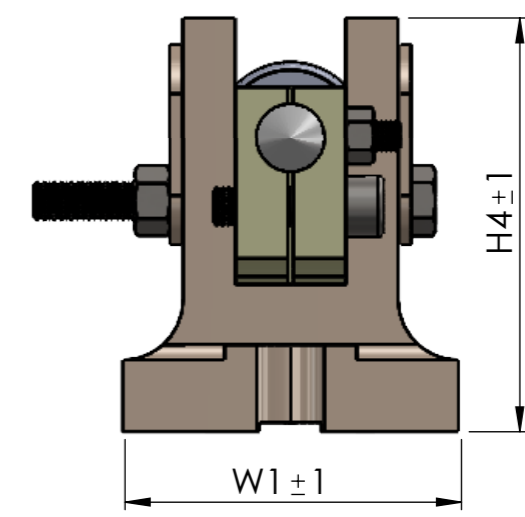
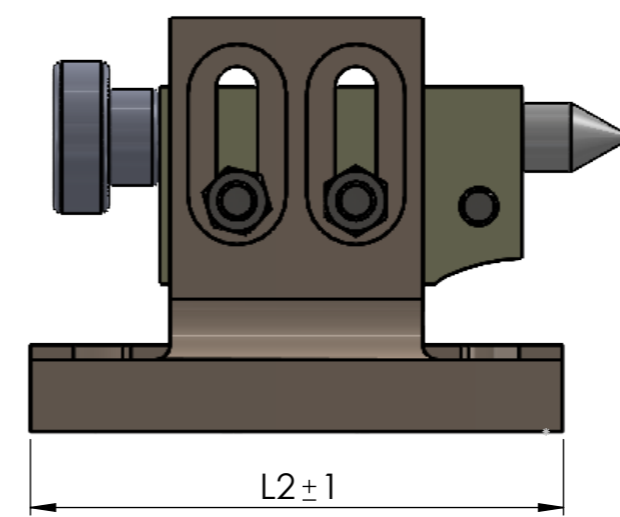
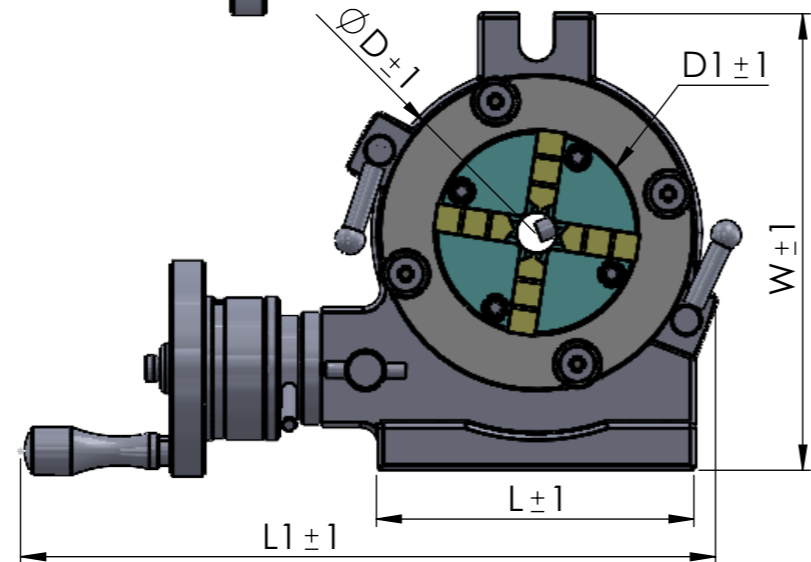
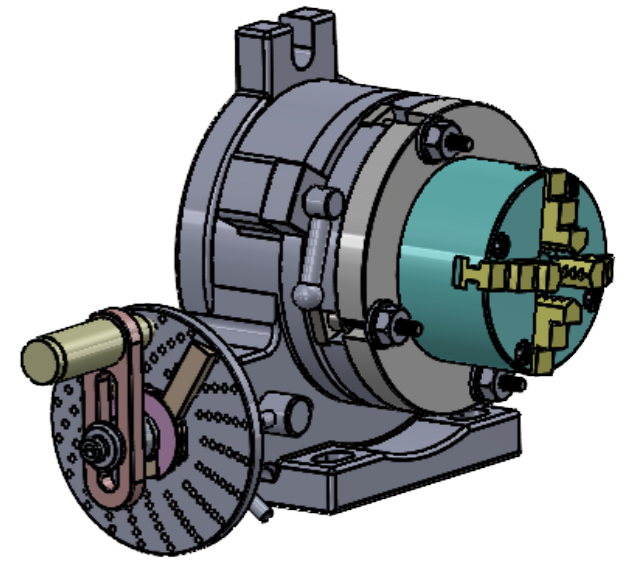
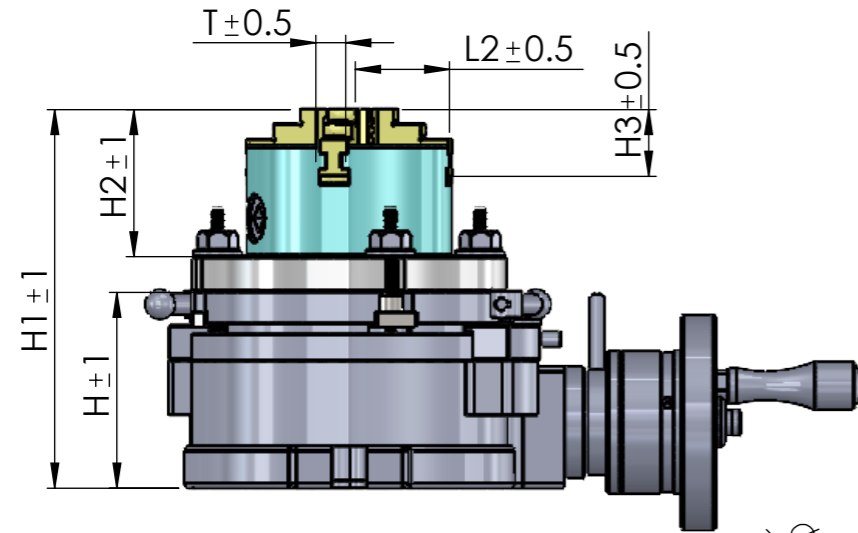
EXPLODED VIEW DIAGRAM



SHOBHA INDUSTRIES PVT.LTD.

NAME		DATE	SIGN.	PART NAME	
DRN.BY.	Sandeep	15.12.20		ROTARY TABLE KIT	
CHKD.BY.				ORDER NO.	111026
APPVD.BY.				SCALE	THIS DRG.IS THE SOLE PROPERTY OF SHOBHA IND.(P)LTD.IT SHOULD NOT BE COPIED OR COMMUNICATED TO ANY WITHOUT THE WRITTEN APPROVAL OF THE DIRECTOR/MANAGER
COLOR			WEIGHT	NTS	
PROJ.			QTY.	DATE	DWG NO.
				15.12.20	111026
					REV.
					00

ROTARY TABLE KIT 5 INCH.



TECHNICAL DATA

ORD.NO.	BASE LENGTH(L)		BASE WIDTH(W)		TABLE DIA.(D)		HEIGHT(H)		T-BOLT SIZE	OVERAL HEIGHT(H1)		OVERALL LENGTH(L1)		WEIGHT
	INCH	MM	INCH	MM	INCH	MM	INCH	MM		INCH	MM	INCH	MM	
110241	5	127	7.1/8	180	5	125	3	77	M8	6	150	9	228	9KG
111301	BASE LENGTH(L2)		BASE WIDTH(W1)		HEIGHT(H4)		TAIL HEIGHT MIN/MAX		SPINDLE DISPLACEMENT		WEIGHT			
	INCH	MM	INCH	MM	INCH	MM	INCH	MM	INCH	MM	INCH	MM	WEIGHT	
	5.1/2	140	9/16	90	4.3/8	110	3.3/16 / 4.5/16	80/108	1	26	4	KG		
145047	BODY DIA.(D1)		HEIGHT(H2)		JAW. LENGTH(L2)		JAW HEIGHT(H3)		JAW THICKNESS(T)		WEIGHT			
	INCH	MM	INCH	MM	INCH	MM	INCH	MM	INCH	MM	INCH	MM	WEIGHT	
	3.3/16	80	2.3/8	60	1.1/4	32	1.3/16	30	7/16	11	2	KG		

SHOBHA INDUSTRIES PVT.LTD.

NAME	DATE	SIGN.	PART NAME	
DRN.BY. Sandeep	23.12.20		ROTARY TABLE KIT	
CHKD.BY.			SCALE	THIS DRG.IS THE SOLE PROPERTY OF SHOBHA IND.(P)LTD.IT SHOULD NOT BE COPIED OF COMMUNICATED TO ANY WITHOUT THE WRITTEN APPROVAL OF THE DIRECTOR/MANAGER
APPVD.BY.			NTS	
COLOR	WEIGHT		SCALE	DWG NO.
PROJ.	QTY.		1:1	REV. 00
				SHEET 1 OF 1